

KOHLER®

Kingston™
two-piece round-front 1.28 gpf toilet
K-25097-RA

Features

- Ideal for commercial installations.
- Two-piece design.
- 1.28 gpf (4.8 lpf).
- Durable metal right-hand Polished Chrome trip lever.
- 2-1/8" (54 mm) fully glazed trapway.
- Easy-to-service silicone seal.
- Sanitary guard where bowl and tank meet for ease of cleaning.
- Encapsulated bolts prevent rust and corrosion.
- Combination consists of the K-25096 bowl and K-25100-RA tank.

Technology

- Single-flush gravity uses the force of gravity and a precision-engineered tank, bowl, and trapway to create a strong siphon during flushing.
- Class Five® flushing technology offers virtually plug-free performance and rinsing power for a clean bowl.
- Class Five® canister allows water to flow out of the tank from all sides (360 degrees), increasing the power and effectiveness of the flush.
- Flush valve's 3:2 ratio harnesses the natural force of gravity and optimizes flush performance.
- Durable canister design has 90% less exposed seal material than a 3" flapper for leak-free performance.

Installation

- Three-bolt quick-connect installation.
- Standard 12" (305 mm) rough-in.
- Seat and supply line sold separately.

Recommended Products/Accessories

K-20111 Brevia™ Quiet-Close™ Round-Front Toilet Seat
K-4660 Lustra™ Round-Front Toilet Seat
K-7637 Angle Supply with Stop (single)
K-5420 Low-Profile Bolt Caps
K-23726 Drain treatment

Included Components

Product consists of:

K-25096 round-front toilet bowl
K-25100-RA Toilet tank, 1.28 gpf

Additional Components:

Bolt cap accessory pack



Codes/Standards

ASME A112.19.2/CSA B45.1
DOE - Energy Policy Act 1992
EPA WaterSense®
California Energy Commission (CEC)

KOHLER® Toilets and Seats Limited Warranty

See website for detailed warranty information.

Available Colors/Finishes

Color tiles intended for reference only.

Color Code Description

	0	White
---	---	-------

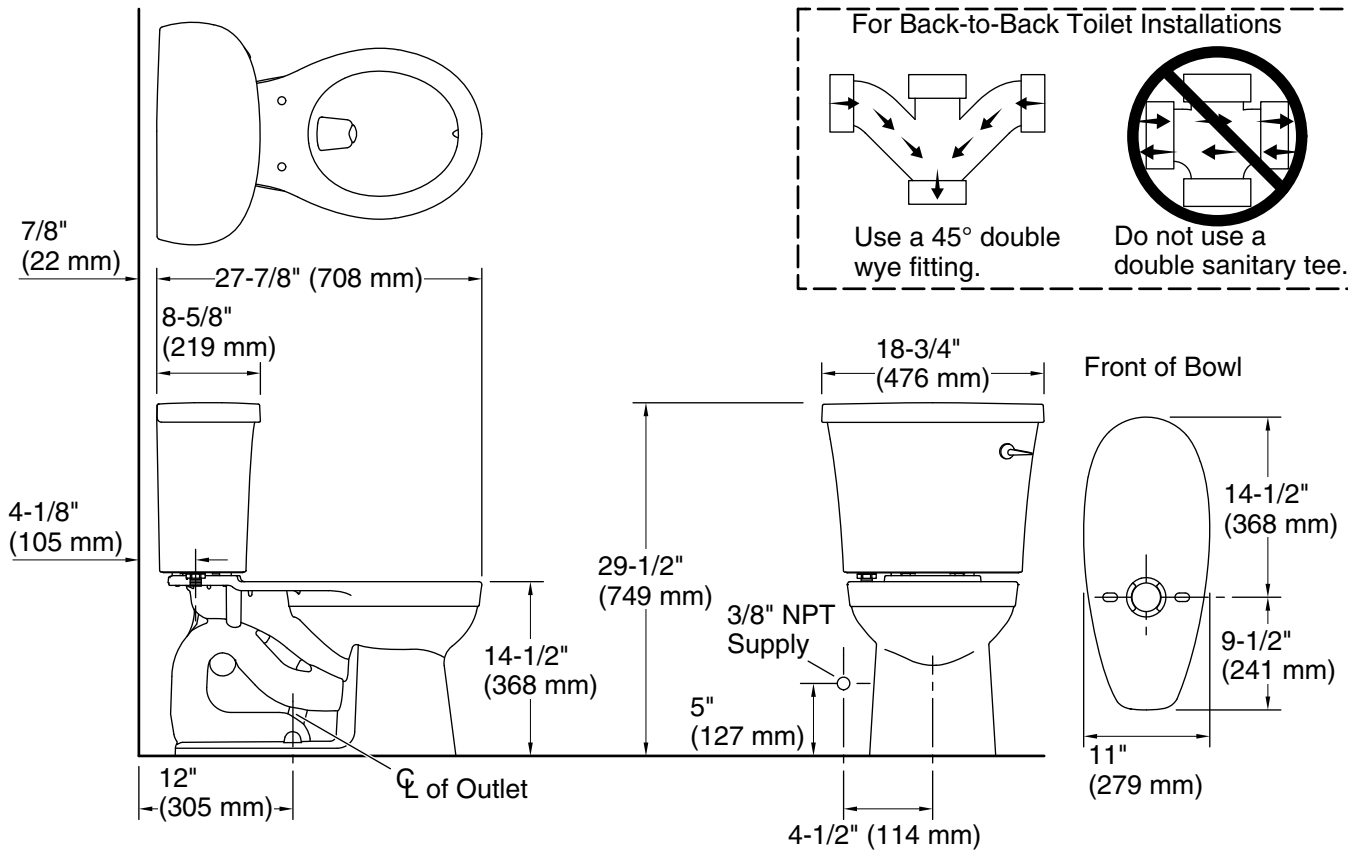
1-800-4KOHLER (1-800-456-4537)

Kohler Co. reserves the right to make revisions without notice to product specifications.

For the most current Specification Sheet, go to www.kohler.com.

5-29-2021 17:31 - US/CA

THE BOLD LOOK
OF **KOHLER®**



Technical Information

All product dimensions are nominal.

Toilet type:	Two-piece, Floor-mount
Waste Outlet:	Floor
Bowl shape:	Round-front
Flush type:	Gravity siphon jet
Trap passageway:	2-1/8" (54 mm)
Water Consumption	
Full:	1.28 gpf (4.8 lpf)
Water surface size:	10-3/8" x 7-1/16" (264 mm x 179 mm)
Rim to water surface:	5-5/8" (143 mm)
Rough-in:	12" (305 mm)

Notes

Install this product according to the installation instructions.

For back-to-back toilet installations: Use only a 45° double wye fitting.